

PREPARATORY WORK (customer charge)

Before the installation of the lift:

- Lift shaft :
Slab drilling, pit, every face plumb and right-angularity.
Ø100 sheath start to the controller.
(Dimensions : H1100 x D610 x L440)

- Free space is required in front of the controller
H2000xD700xL700

- ELECTRICAL LOT:
Provide: 2 phases + ground 230V 16A socket (3x2.5 mm² cables)+ 1 circuit breaker 30mA **A "SI" or "HPI" Type**
Recommendation: Réfs. : A9N21454 / SCHNEIDER or CDH125F / HAGER or LEG 410753 / LEGRAND
And provide a phone jack RJ45 type too.

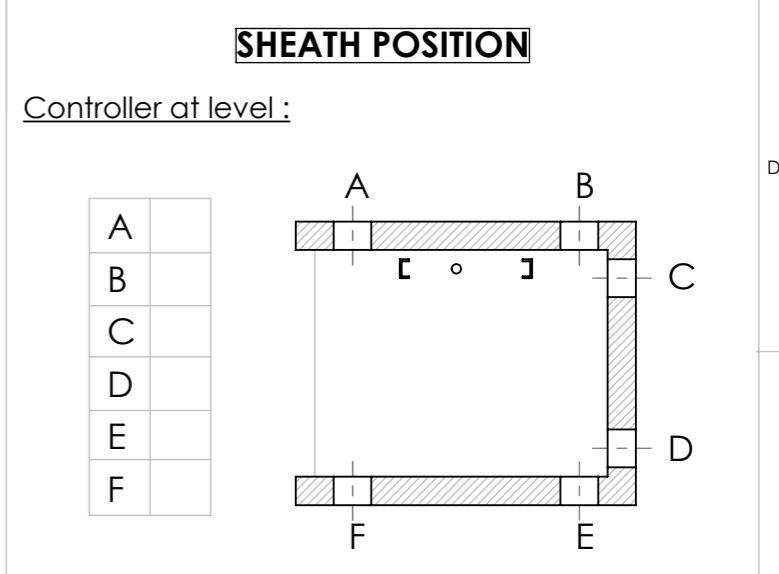
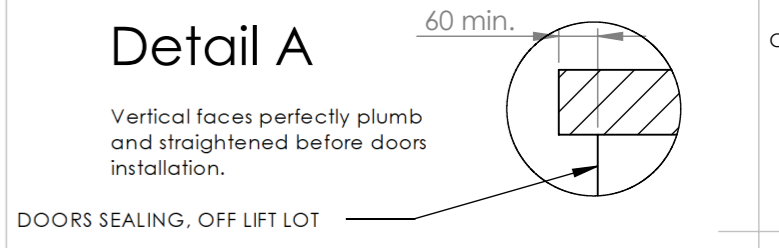
*Ask for information about the access side realization.

AFTER INSTALLATION WORK (customer charge)

Doors sealing.
Ground – door sill junction, covering, painting.

INFORMATIONS

Start intensity: 8A, in cycle: 5A.



Practical dimensions	
Doors passage	900 mm
Cabin size	Width = 1000 mm Depth = 1250 mm
R1=250Kg (on 2 fixation points) R2=1000Kg (on a 70x240 mm zone)	
Beyond 5m stroke, a pit for the hydraulic cylinder is required if the ceiling height cannot be increased.	
$\text{Pit height} = \frac{\text{Stroke}}{3} + 700 - \text{ceiling height}$	
Rev	Creation
Rev	Modification

etnaFRANCE
ELEVATEURS, MONTE-CHARGES, ASCENSEURS PRIVATIFS

Tolerance : ±10mm

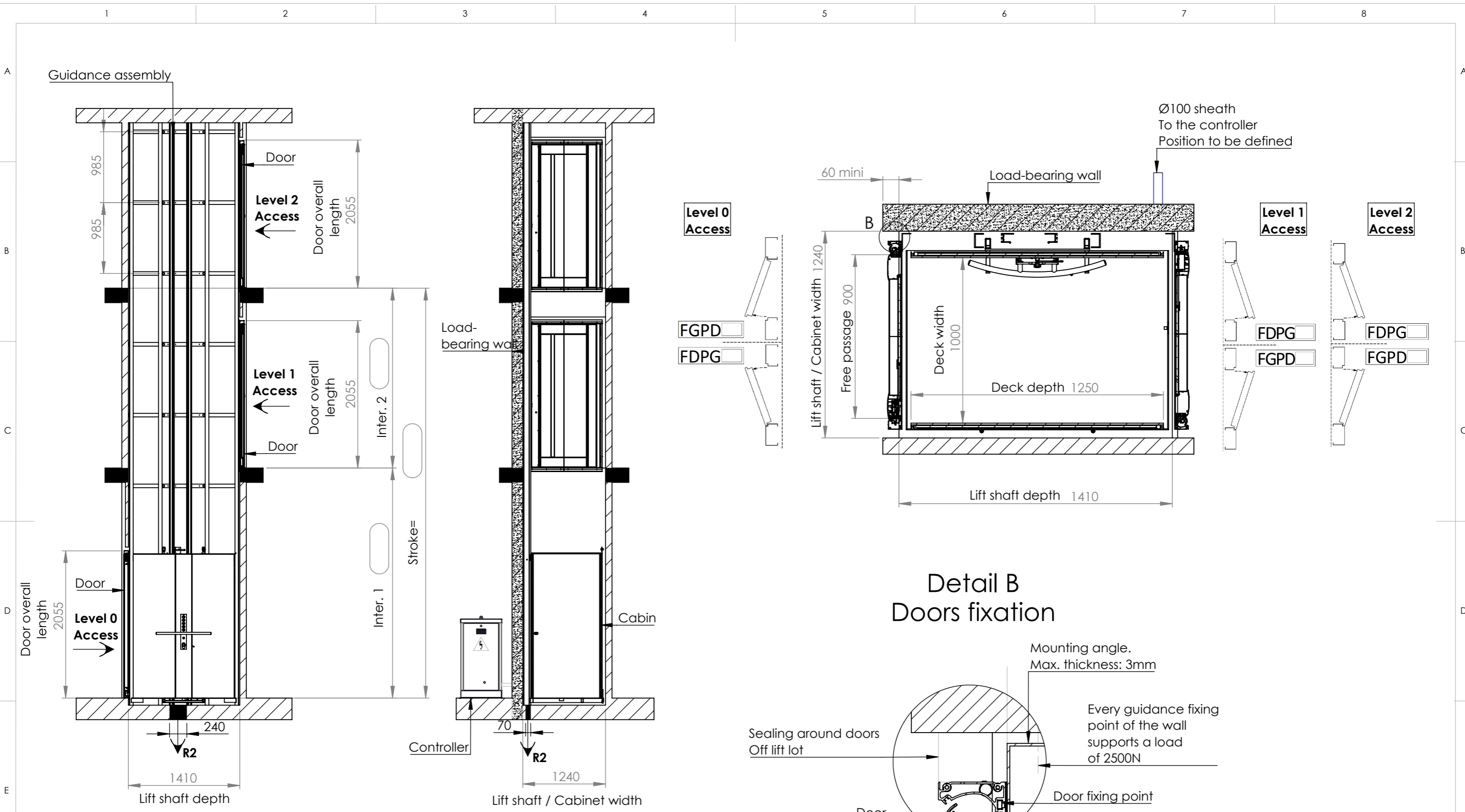
DESIGNATION:
OPPOSED SERVICE
"Creative"-"Permium"

DEVICE	
Address	
PC / Town	
Case n°	
Quotation n°	
N°	15-U01-65

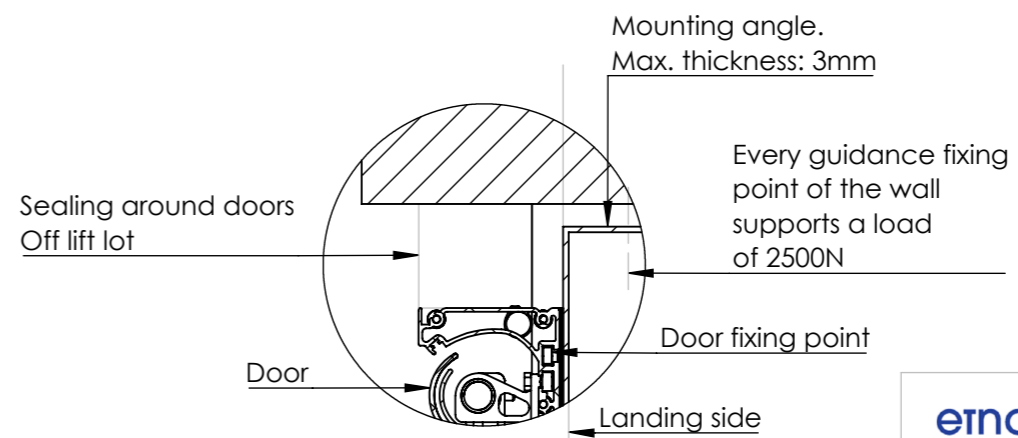
A3

SCALE:1:50

A	Creation	26-09-2017	AT
Rev	Modification	Date	Author



Detail B
Doors fixation



VIEW	OPENING		
INSIDE THE LIFT		LEFT PULLING	RIGHT PULLING
OUTSIDE THE LIFT		RIGHT PUSHING	LEFT PUSHING
CODE		FGPD	FDPG

etnaFRANCE
ELEVATEURS, MONTE-CHARGES, ASCENSEURS PRIVATIFS

Tolerance : ±10mm

DESIGNATION:
OPPOSED SERVICE
"Creative" - "Premium"

DEVICE

Address

PC / Town

Case n°

Quotation n°

N° 15-U02-65

A3

SCALE: 1:50

A	Creation	26-09-2017	AT
Rev	Modification	Date	Author