

PREPARATORY WORK (customer charge)

Before the installation of the lift:
 - Lift shaft :
 Slab drilling, pit, every face plumb and right-angularity.
 Ø100 sheath start to the controller.
(Dimensions : H1100 x D610 x L440)
 - Free space is required in front of the controller
 H2000xD700xL700

- ELECTRICAL LOT:
 Provide: 2 phases + ground 230V 16A socket (3x2.5 mm² cables)+ 1 circuit breaker 30mA **A "SI" or "HPI" Type**
Recommendation: Réfs. : A9N21454 / SCHNEIDER or CDH125F / HAGER or LEG 410753 / LEGRAND
 And provide a phone jack RJ45 type too.

*Ask for information about the access side realization.

AFTER INSTALLATION WORK (customer charge)

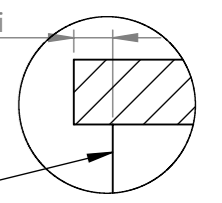
Doors sealing.
 Ground – door sill junction, covering, painting.

INFORMATIONS

Start intensity: 8A, in cycle: 5A.

Detail A

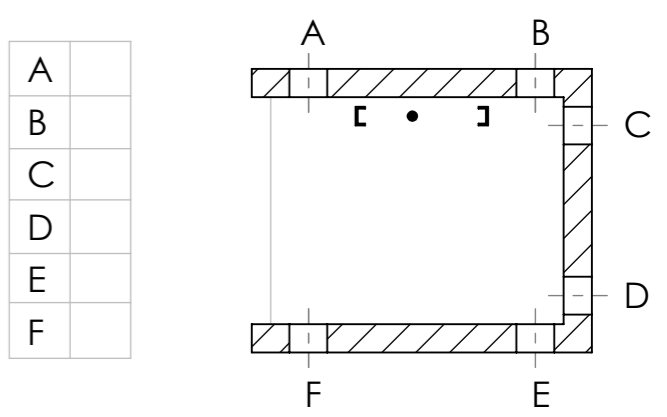
Vertical faces perfectly plumb and straightened before doors installation.



DOORS SEALING, OFF LIFT LOT

SHEATH POSITION

Controller at level :



Practical dimensions

Doors passage
800 mm

Cabin size
Width = 810 mm
Depth = 1290 mm

R1=250Kg (on 2 fixation points)
R2=1000Kg (on a 70x240 mm zone)

Beyond 5m stroke, a pit for the hydraulic cylinder is required if the ceiling height cannot be increased.

$$\text{Pit height} = \frac{\text{Stroke}}{3} + 700 - \text{ceiling height}$$

etnaFRANCE
 ELEVATEURS, MONTE-CHARGES, ASCENSEURS PRIVATIFS

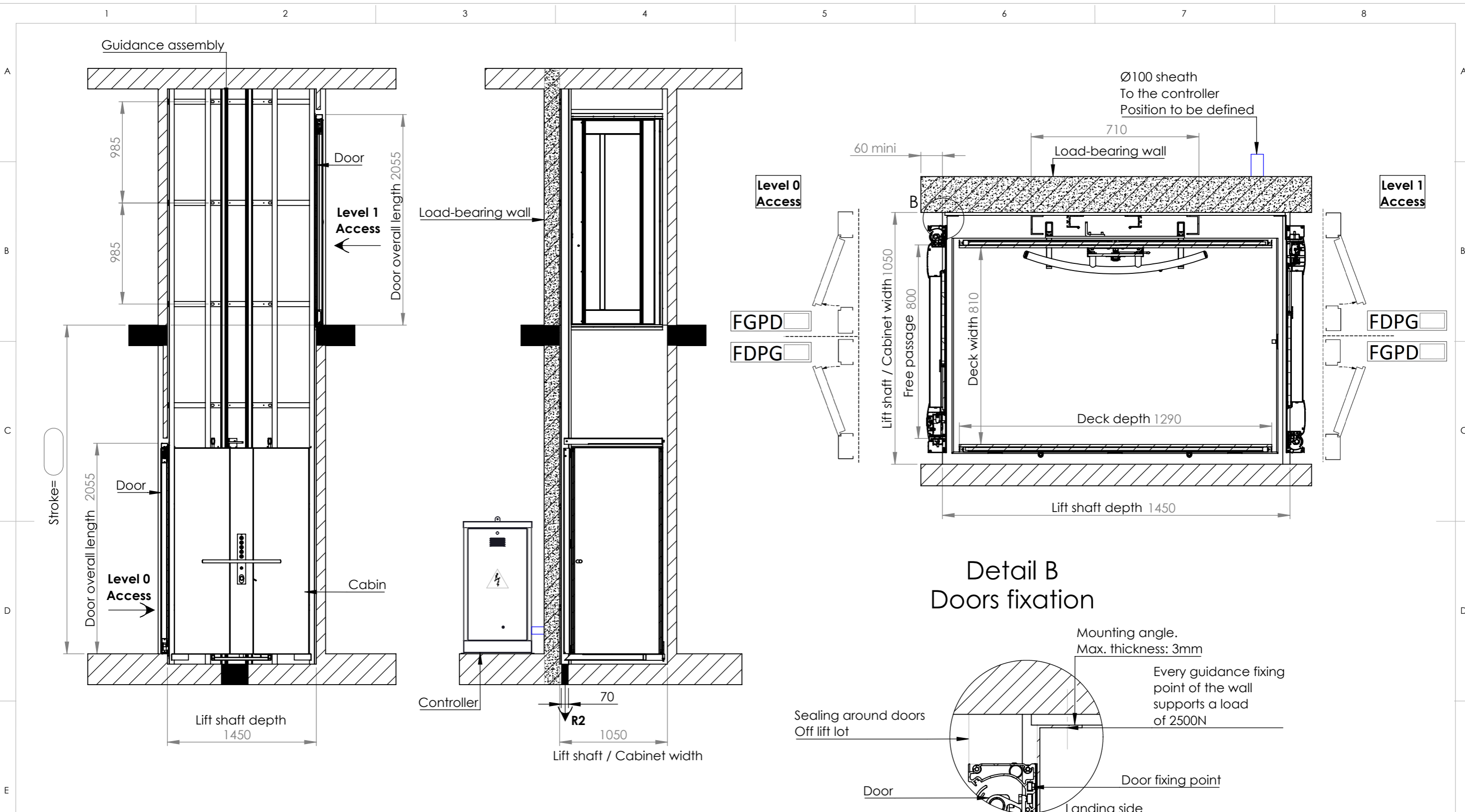
Tolerance : ±10mm

DESIGNATION:
OPPOSED SERVICE
"Créatif" - "Permium" Large

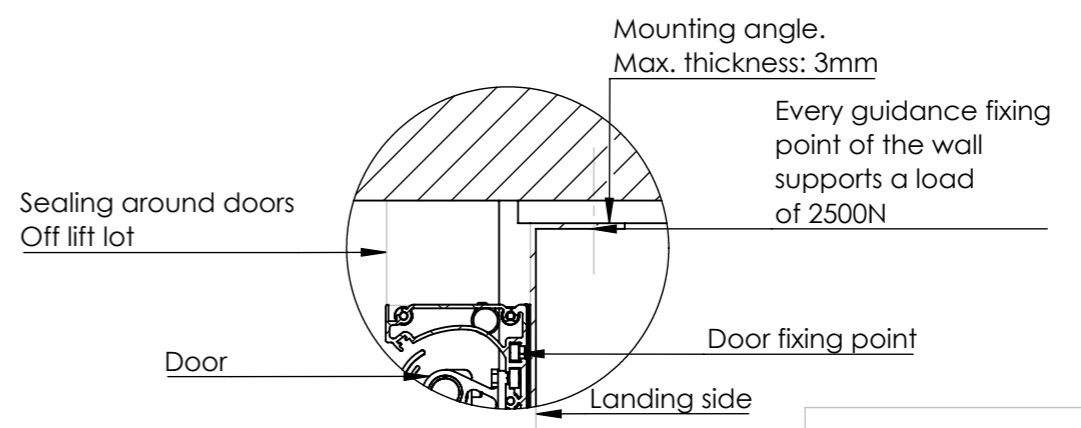
DEVICE
 Address
 PC / Town

Rev	A	Creation	05-04-2017	AT	Case n°	
Rev		Modification	Date	Author	Quotation n°	
					N°	15-U01-25

A3
 SCALE:1:35



**Detail B
Doors fixation**



VIEW	OPENING		
INSIDE THE LIFT	LEFT PULLING	RIGHT PUSHING	RIGHT PULLING
OUTSIDE THE LIFT	RIGHT PUSHING	LEFT PUSHING	LEFT PUSHING
CODE	FGPD	FDPG	FDPG

etnaFRANCE
ELEVATEURS, MONTE-CHARGES, ASCENSEURS PRIVATIFS

Tolerance : ±10mm

DESIGNATION:
OPPOSED SERVICE
"Créatif" - "Permium" Large

DEVICE

Address

PC / Town

Case n°

Quotation n°

N° 15-U02-25

A3

SCALE: 1:35

A	Creation	05-04-2017	AT
Rev	Modification	Date	Author