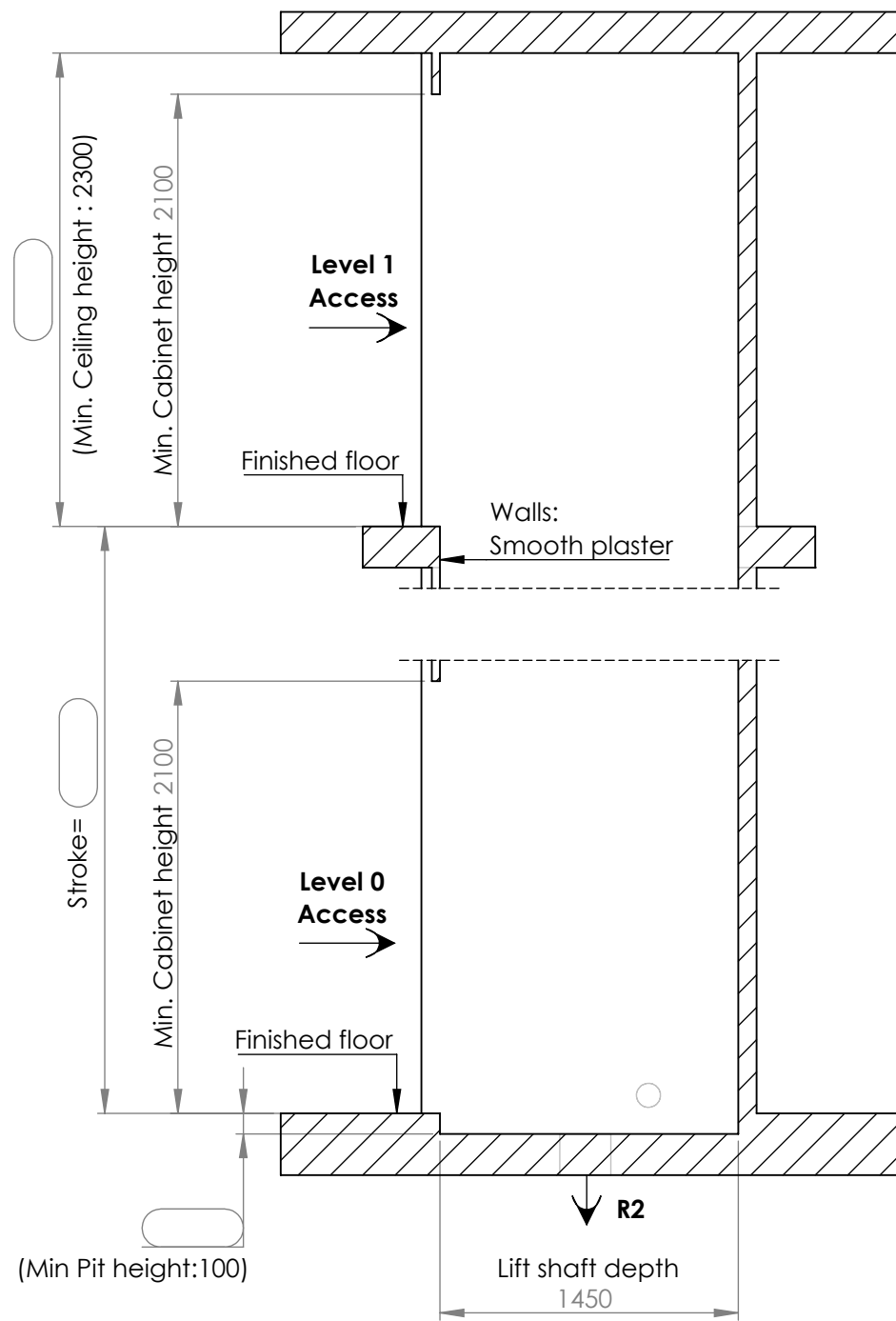
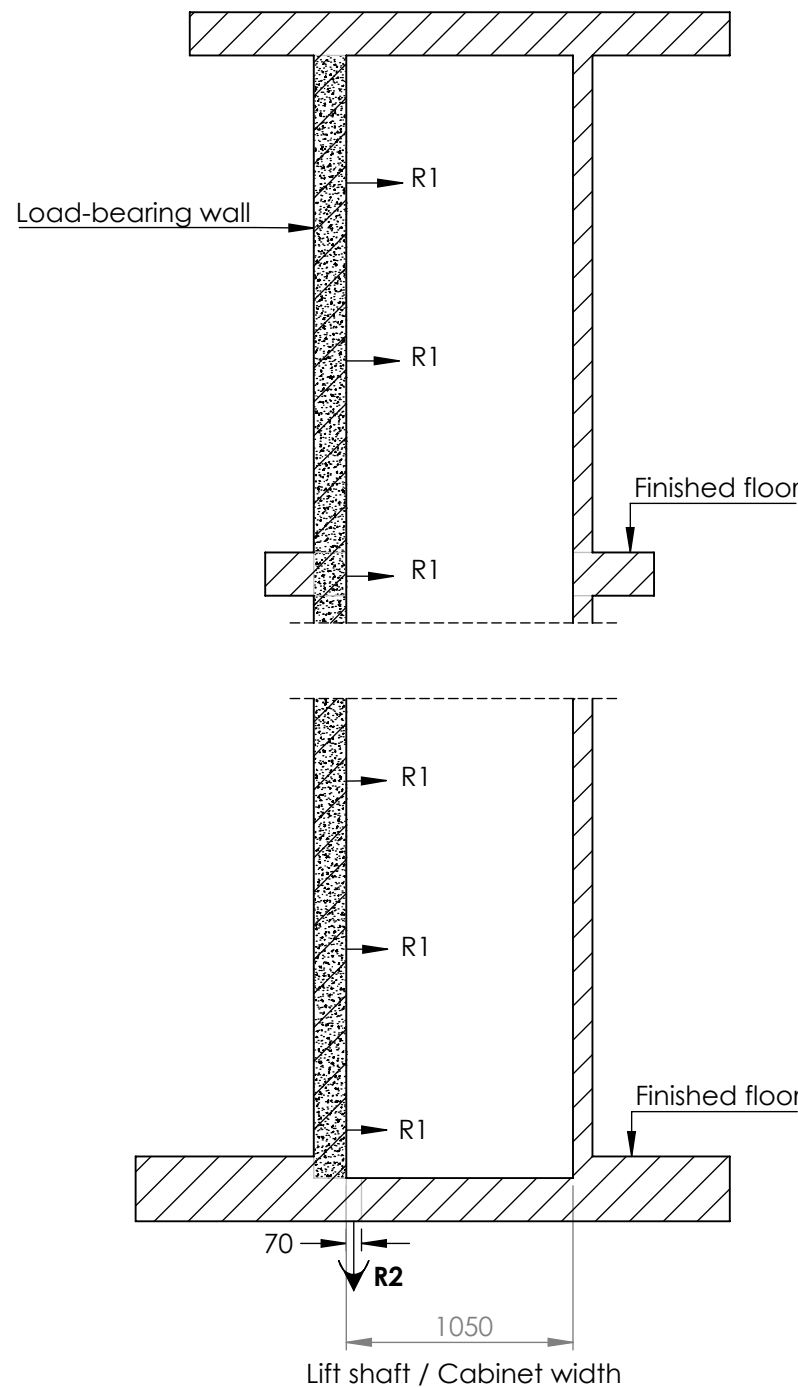


COUPE B-B

Facade sealing after lift installation

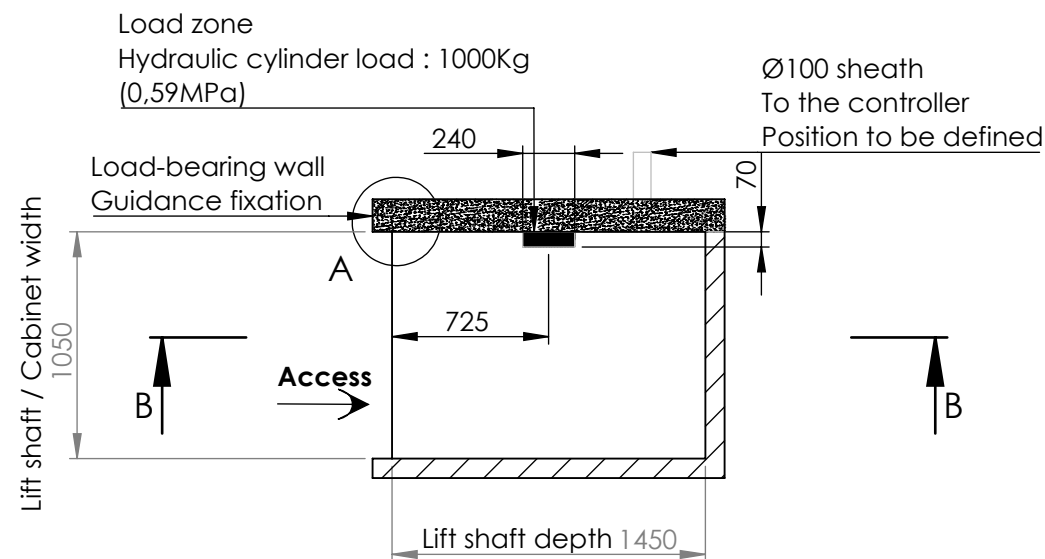


Load-bearing wall



Load zone
Hydraulic cylinder load : 1000Kg
(0,59MPa)

Ø100 sheath
To the controller
Position to be defined



PREPARATORY WORK (customer charge)

Before the installation of the lift:

- Lift shaft :

Slab drilling, pit, every face plumb and right-angularity.
Ø100 sheath start to the controller.

(Dimensions : H1100 x D610 x L440)

- Free space is required in front of the controller
H2000xD700xL700

- ELECTRICAL LOT:

Provide: 2 phases + ground 230V 16A socket (3x2.5 mm² cables)+ 1 circuit breaker 30mA **A "SI" or "HPI" Type**
Recommendation: Réfs. : A9N21454 / SCHNEIDER or CDH125F / HAGER or LEG 410753 / LEGRAND
And provide a phone jack RJ45 type too.

*Ask for information about the access side realization.

AFTER INSTALLATION WORK (customer charge)

Doors sealing.

Ground – door sill junction, covering, painting.

INFORMATIONS

Start intensity: 8A, in cycle: 5A.

Detail A

60 mini

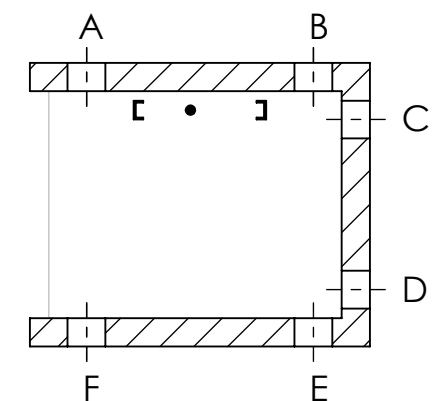
Vertical faces perfectly plumb and straightened before doors installation.

DOORS SEALING, OFF LIFT LOT

SHEATH POSITION

Controller at level :

A
B
C
D
E
F



Practical dimensions

Doors passage

800 mm

Cabin size

Width = 810 mm

Depth = 1290 mm

**R1=250Kg
(on 2 fixation points)
R2=1000Kg
(on a 70x240 mm zone)**

Beyond 5m stroke, a pit for the hydraulic cylinder is required if the ceiling height cannot be increased.

$$\text{Pit height} = \frac{\text{Stroke}}{3} + 700 - \text{ceiling height}$$

etnaFRANCE
ELEVATEURS, MONTE-CHARGES, ASCENSEURS PRIVATIFS

Tolerance : ±10mm

DESIGNATION:

LATERAL SERVICE

"Créatif" - "Permium" Large

DEVICE

Address

PC / Town

Case n°

Quotation n°

A Creation

Rev Modification

05-04-2017

Date

AT

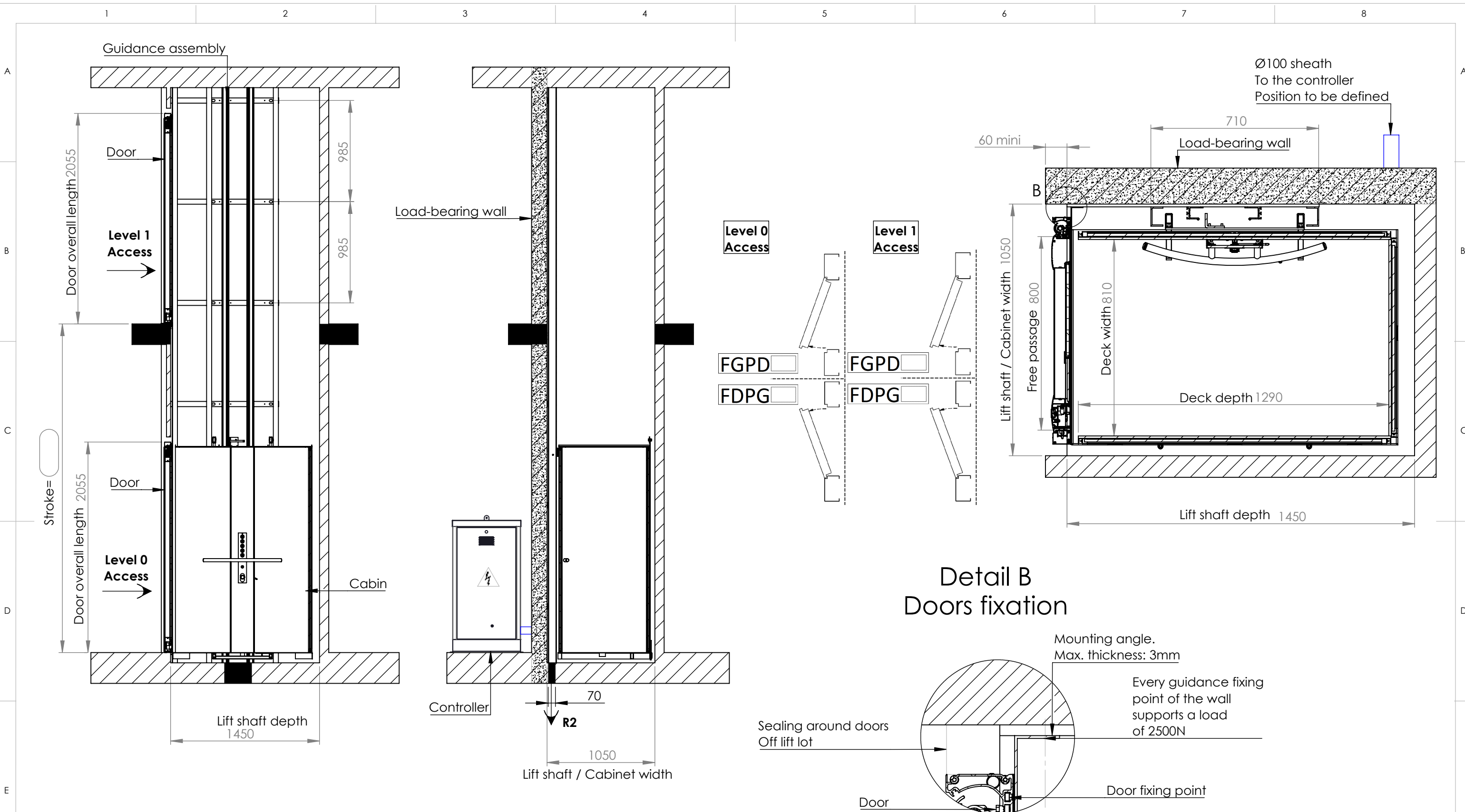
Author

N°

15-U01-21

A3

SCALE:1:35



	OPENING		
VIEW			
	INSIDE THE LIFT	LEFT PULLING	RIGHT PULLING
	OUTSIDE THE LIFT	RIGHT PUSHING	LEFT PUSHING
	CODE	FGPD	FDPG

etnaFRANCE
ELEVATEURS, MONTE-CHARGES, ASCENSEURS PRIVATIFS

Tolerance : ±10mm

DESIGNATION:
LATERAL SERVICE
"Créatif" - "Permium" Large

DEVICE

Address

PC / Town

Case n°

Quotation n°

N° 15-U02-21

A3
SCALE:1:35

A	Creation	05-04-2017	AT
Rev	Modification	Date	Author